



LEGENDS OF  
**CHIMA**



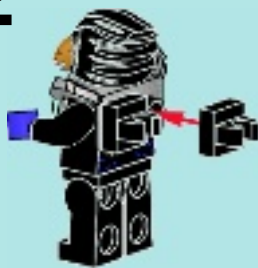
70000



1



2



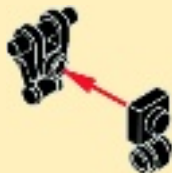
3



4



1



2



3



3



1



4



2





1x

**3**



1x

**4**





1x



1x

5



6



2x

6





2x



1x

# 7





2x

8



8

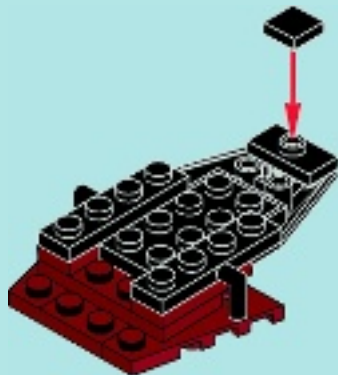


1x



1x

9







# CHIMA

**WATCH THE VIDEO  
REGARDE LA VÍDEO  
MIRA EL VÍDEO**

SCAN THE QR CODE  
SCANNEZ LE CODE QR  
CAPTURA EL CÓDIGO QR



**LEGO.COM/CHIMA**



# LEGEND OF CHIMA

LEVAL



70005 70115

LONGTOOTH



70005 70113

LONGWING



70002 70006  
70104 70011

LONGWING



70001 70006  
70102

EWARD



70011

ERIC



70003

EGORA



70004 70013  
70101

EGORA



70013 70105

E'WAR



70012



LEGO.com/chima



CROMMUS



70006 70103

CROGGER



70006 70115

CROOLDR



70006

CRUG



70002

CRAWLEY



70001 70005

RAWZUM



70006

RAFZUM



70003 70012  
70100

MIZZU



70003 70012

WAZCAL



70000

WDRNG



70011

WDRZ



70004 70113

WELHURT

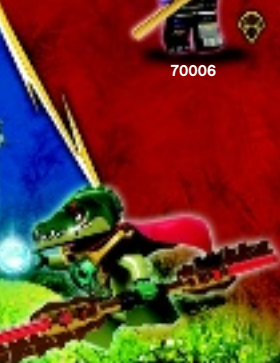


70013

WENZER



70004 70106





The LEGO logo, consisting of the word "LEGO" in white capital letters on a red square background.

# LEGO CHIMA



## LEGO.COM/CHIMA

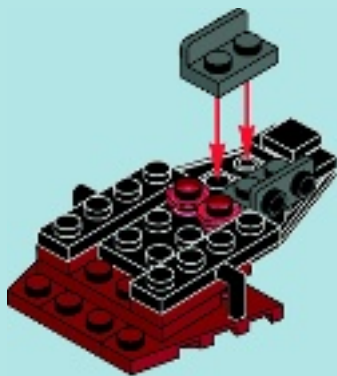


2x



2x

# 10



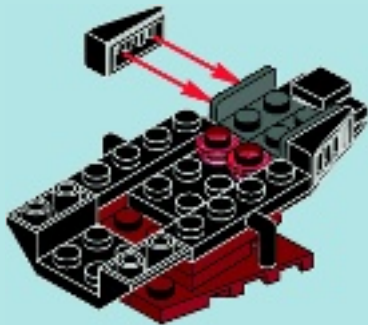


1x



2x

# 11



14



1x



1x

# 12



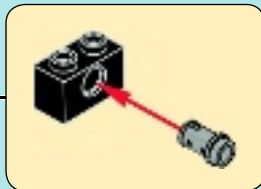
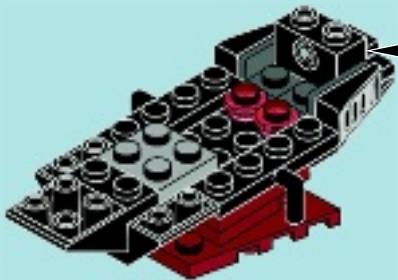


1x



1x

# 13





1x



2x



2x

# 14



16



1x

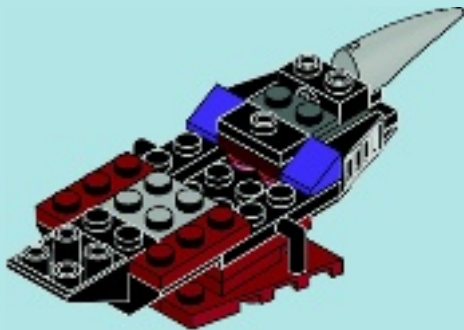


1x



1x

# 15

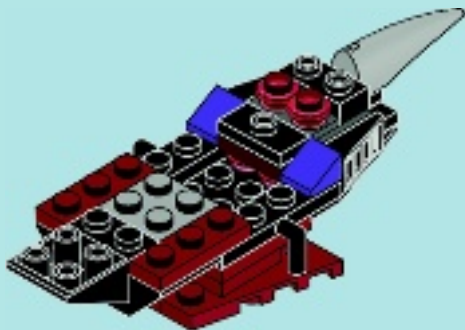






2x

# 16





1x

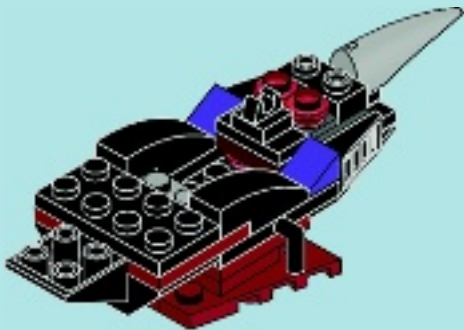


2x

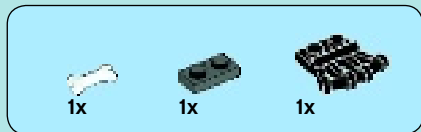


1x

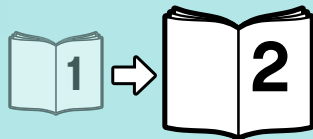
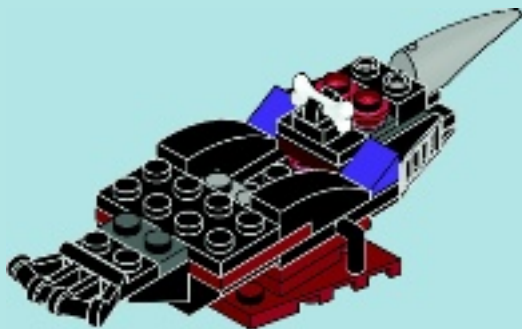
# 17



18



# 18





www.LEGOclub.com/Max

**LEGO club**

**FREE\*! GRATIS! GRATUIT !**

\*Paid subscription in Australia and New Zealand.  
\*Abonnement payant en Australie et Nouvelle-Zélande.

LEGO and the LEGO logo are trademarks of the/son des marques de commerce de/son marcas registradas de LEGO Group.  
©2013 The LEGO Group. 6036535

